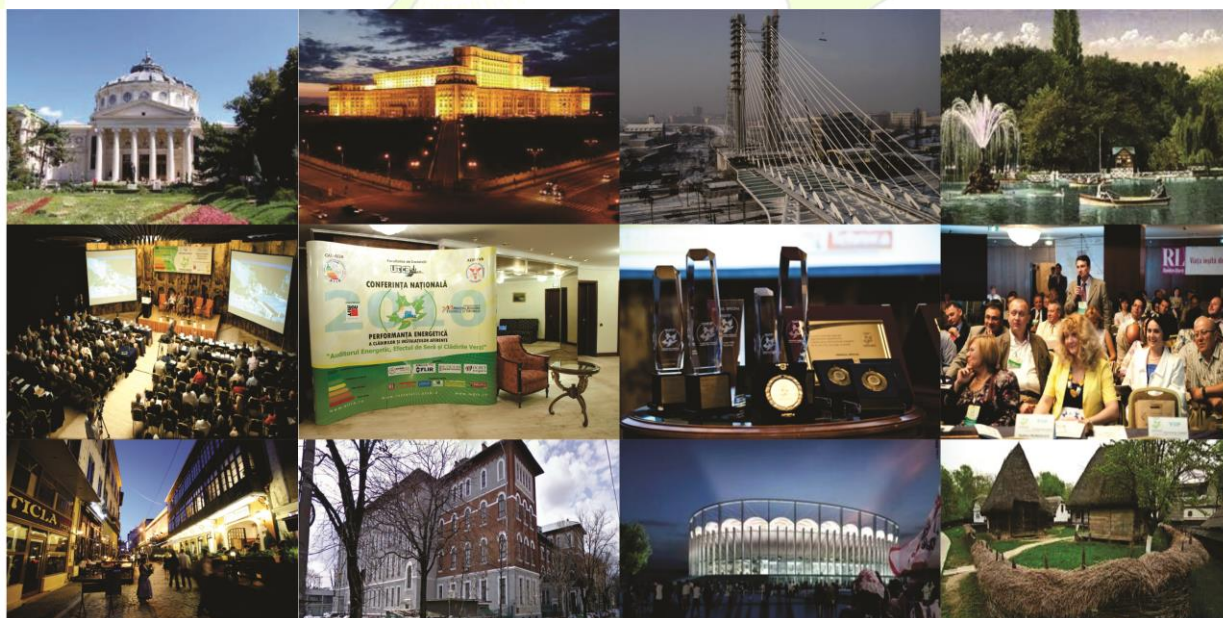


ROMANIAN CONFERENCE



Energy Performance of Buildings

RCEPB 2018, 10th Edition - anniversary



Bucharest, 7-8 June 2018



DATES AND LOCATIONS

- Thursday, June 7th (9:30am to 6:30pm), Bucharest, Technical University of Civil Engineering Bucharest (UTCB), Faculty for Building Systems Engineering (FII)
- Friday, June 8th (9:30am to 2:00pm), Bucharest, Technical University of Civil Engineering Bucharest (UTCB), Faculty for Building Systems Engineering (FII)

ORGANIZERS

Romanian Association for Building Services Engineers (AIIR)

Faculty for Building Systems Engineering FII-UTCB

Romania Energy Auditors Chamber (OAER)

OBJECTIVES

The Romanian Energy Performance of Buildings Conference (RCEPB), is a multi-disciplinary international conference having as **main topics**:

- Implementation progress of the EU Directives 2010/31/EU, 2006/32/EU, 2009/28/EC, 2012/27/EU etc
- Policies, programs and funding sources to achieve the 20/20/20 targets
- Sustainable solutions for energy efficient buildings: passive houses, nearly zero-energy buildings and green buildings (optimal-cost method)
- Energy certification and auditing: demand versus offer, services quality, impact on the real estate market, energy auditors issues and solutions (round table with representatives from ministries and professional associations)
- Case studies of energetic sustainability of the urban development.

Energy efficiency, RES use, passive and green buildings are concepts used more and more in European Directives and national regulations. EU targets were established for the reduction of energy consumption and GHG emissions or for RES use in order to minimize the negative environmental and social impact of fossil fuels burning, to strengthen the energetic independence of MS, to reduce the energy invoices for oil and natural gases imports. Therefore papers on related topics are welcomed from all relevant disciplinary areas, ranging from new concepts and solutions, modeling, experiments, to computational simulation. The event will provide a forum for the exchange of latest technical information, for the dissemination of the Romanian and international research results, for the presentation of the new developments in the area of energy and environment and for the debate and shaping of future directions and priorities in sustainable development and energy security.

PARTICIPANTS

The conference will be of particular value and interest to Energy Auditors, Architects, Engineers, Researchers, Scientists and all practitioners interested in the relevant field of energy and environment, from policy making, technical development to management and marketing. International attendees can take the pulse of the Romanian state of the art in the field of EPB, passive houses, green constructions etc.



FORMAT

The conference will include the following events and activities:

- Keynote papers by invited speakers (June 7th);
- General contributed papers presented orally in plenary sessions (June 7th and 8th).

PROCEEDINGS

All papers (see instructions for authors on last page) will be reviewed by the international conference technical committee. Extended abstracts of accepted papers will be published in the Proceedings of the RCEPB which will be available during the Conference and included in the registration package. The best articles will be promoted for publishing in **Journals** (indexed in main databases (EBSCO, ProQuest, Scopus, Google Scholar ...)).

TOPICS

The topical areas of interest include, but are not limited to:

Awareness and Regulations

- Energy conversion and management
- Energy economics
- Energy education
- Optimal cost
- Energy policy and planning
- Energy security
- Energy and sustainability

Energy and Environment

- Energy efficiency and management
- Energy and industrial ecology
- Energy and life cycle analysis
- Environmental impact and climate change
- Urban development
- Global warming
- Net zero energy building

Renewable and Clean Energy Technologies

- Biogas and biomass
- Geothermal energy
- Solar energy
- Market and finance of RES

Advanced Energy Systems

- Advanced power generation, transmission and automation
- Alternative and hybrid energy systems
- Combustion Technologies
- Energy storage techniques
- Green buildings
- Heating Ventilation and Air Conditioning
- Environmentally friendly energy technologies



IMPORTANT DATES

- | |
|---|
| • February 28 th , 2018, extended abstracts due |
| • March 16 th , 2018, Notification of abstract acceptance |
| • April 23 rd , 2018, Full paper due |
| • May 14 th , 2018, Notification of paper acceptance |
| • May 28 th , 2018, Final submission of revised full paper |

The presentations of the accepted full-papers will be uploaded on the conference website.

OFFICIAL LANGUAGES

English and Romanian (simultaneous interpretation will be provided).

CONFERENCE CHAIRS

Prof.Dr.Eng. Sorin BURCHIU, Dean of the Faculty of Building Systems Engineering, President of AIIR

Prof.Dr.Eng. Iolanda COLDA, Faculty of Building Systems Engineering, President of OAER

ORGANIZING COMMITTEE CHAIR

Assoc.Prof.Dr.Eng. Cătălin LUNGU, Vice-dean of the Faculty of Building Systems Engineering, Vice-president of AIIR and REHVA

Prof.Dr.Eng. Sorin BURCHIU, Dean of the Faculty of Building Systems Engineering, President of AIIR

Prof.Dr.Eng. Iolanda COLDA, President of the OAER

Prof.Dr.Arch. Cristina OCHINCIUC, Vice-president of OAER

Assoc.Prof.Dr.Eng. Mihaela GEORGESCU, Vice-president of OAER

Assoc.Prof.Dr.Eng. Eugen VITAN, Vice-president of AIIR

Dr.Eng. Ioan-Silviu DOBOȘI, Prime-vice-president of AIIR, REHVA Ambassador for CLIMA 2019

Assist.Prof.Dr.Eng. Alin NICOLAE, Executive Director of AIIR Valahia

Assoc.Prof.Dr.Eng. Vasiliță CIOCAN, Vice-president of AIIR

Assoc.Prof.Dr.Eng. Stan FOTĂ, Vice-president of AIIR

SCIENTIFIC AND ADVISORY COMMITTEE

Florin BĂLTĂREȚU

Eugen VITAN

Christian YNARD

Iolanda COLDA

Cătălin LUNGU

Ana-Maria BIANCHI

Rodica FRUNZULICĂ

Nicolae ANTONESCU

Cristina OCHINCIUC

Cătălin TEODOSIU

Mihaela Georgescu

Sorin BURCHIU

Andy LEWRY

KEYNOTE and INTERNATIONAL SPEAKERS

Yves FAUTRELLE (France), Karel KABELE (Czech Republic), Jaap HOGELING (Netherlands), Francesca Romana D'AMBROSIO (Italy), Tuba Bingöl Altıok (Turkey), Andy LEWRY (United Kingdom), Christian YNARD (France), Oleksandra KUZMENKO (Ukraine), Ljudmila VIRLAN (Moldavia Republic).

GOVERNMENTAL AND INSTITUTIONAL PARTNERS

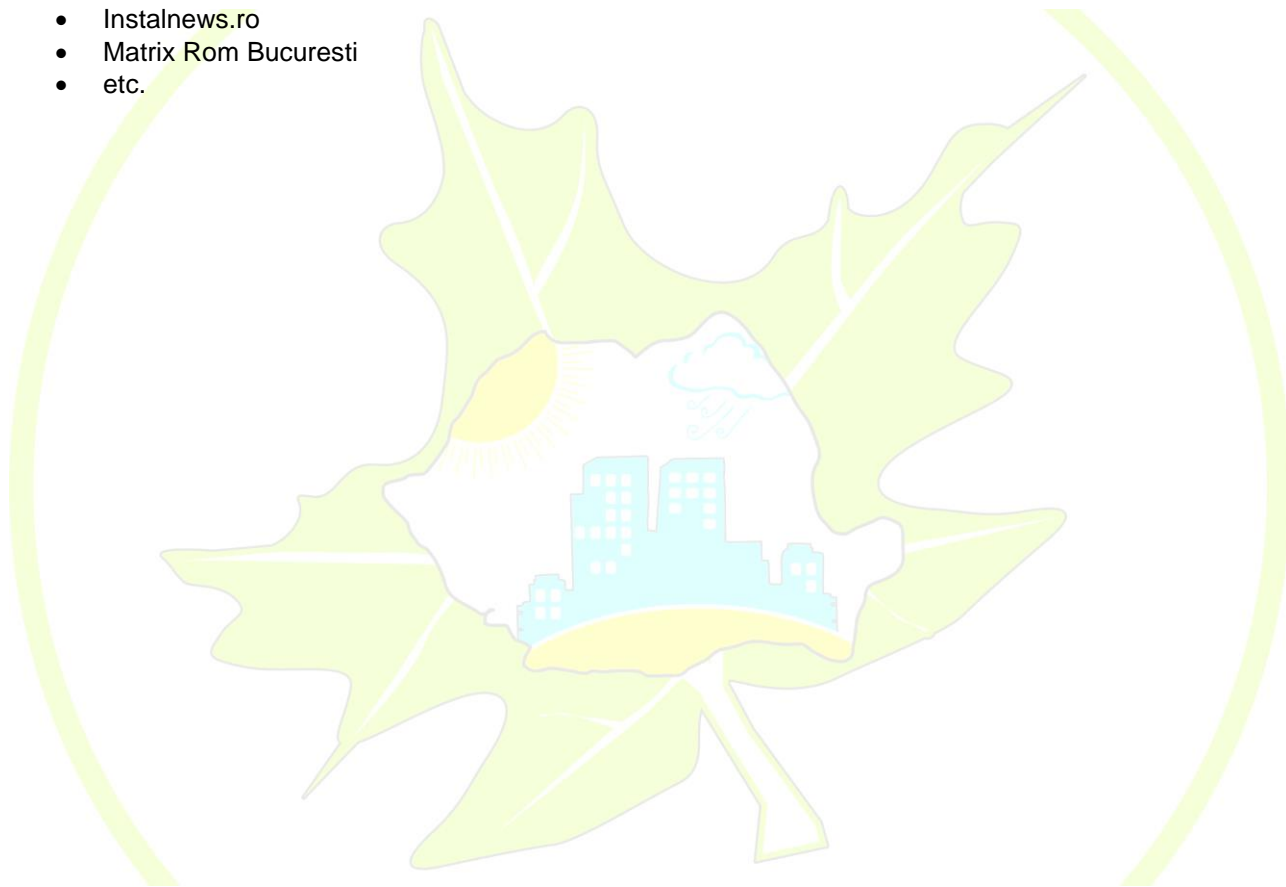
MDRAPFE, PSC, ARACO, AGFR, AE3R, BPIE, SRT etc.

SPONSORS

See „Formular de comanda”, „Pachete de servicii” and „Contract de participare” files (available only in Romanian).

MEDIA PARTNERS

- REVISTA DE INSTALATII
- REHVA Journal
- Instalnews.ro
- Matrix Rom Bucuresti
- etc.



REGISTRATION FEES (include publication of the full-paper in a Romanian BDI journal, congress documentation, coffee breaks, lunch, cocktail, promotional gadgets)

- 30 Euro-VAT not included, for AIIR/OAER members registered before May 27th 2018 (45 Euro VAT not included, after May 27th 2018)
- 50 Euro VAT not included, for AIIR/OAER non-members.

IMPORTANT ! Attending only the congress presentations is FREE OF CHARGE.

IMPORTANT ! The accommodation and registration fees will be supported by RCEPB organizers for all invited international keynotespeakers, the representatives of AIIR Subsidiaries (Banat, Transilvania Cluj, Transilvania Brasov, Moldavia) and of AIIRM (Republic of Moldavia).

SOCIAL PROGRAMME (only for international speakers and special guests)

Trip to Danube Delta 8-10 of June 2018.

Venue: <http://www.peninsularesort.ro>





THE TITLE OF THE PAPER (TITLE EN*)

MIRCEA POPA - Lecturer, PhD, Technical University of Civil Engineering, Faculty of Building Services,
e-mail: (Author's name)

Abstract: In the summary, the representative aspects of the paper will be mentioned – minimum 8 rows. It will be written in regular (size 10), paragraph left-right, 1,2 cm (**ABSTRACT**)

Keywords: 4-5 representative words for paper, not included in the paper title(**Keywords**)

1. Introduction (Chapter)

The title “Introduction” will be numbered, written in small capitals (size 12) and bolded.

In the introduction of the article, the present state of the researchers in the specified domain will be mentioned (by quoting the corresponding bibliography) and the objectives of the paper will be declared.

The paper will be of 6 pages at least, the font used being TNR, size 11, the paragraphs being separated from one another with one line of size 6. (**Normal text**).

2. Paper content (the title of the first chapter) (Chapter)

The names of the chapters will be numbered if necessary, written in small capitals (size 12), bolded, centered left.

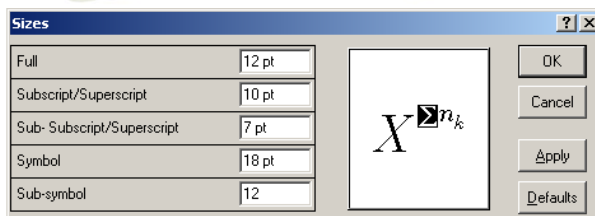
The presentation will be short and concise, and the symbols used will be defined in a symbol list (only if necessary). The International System of Measurement Units will be used. Descriptions of machineries and installations are not recommended.

2.1. Subchapter Subchapter (1.1)

2.1.1. Subsubchapter Subsubchapter (1.2.1)

3. Paper content (the title of the second chapter) (Chapter)

Equations. Equations are to be numbered with an indented line at right and written with the help of the equations-editor : Settings – size : 12, 10, 7, 18, 12, style: italic variables, LG Greek italic.





$$\underline{I}_A = \sqrt{2} \sum_{k=1}^n e^{jk\omega t} \cdot e^{j0} \cdot \underline{I}_A^{(k)}(k);$$

$$\underline{I}_B = \sqrt{2} \sum_{k=1}^n e^{jk\omega t} \cdot \left(e^{-j\frac{2\pi}{3}} \right)^k \underline{I}_B^{(k)}(k);$$

$$\underline{I}_C = \sqrt{2} \sum_{k=1}^n e^{jk\omega t} \cdot \left(e^{+j\frac{2\pi}{3}} \right)^k \underline{I}_C^{(k)}(k).$$

(Equations) (1)

Tables. Tables are to be written in size 10. The title of the table is to be centered, bolded and its numerotation written in italics (size 10), centered right.

Table 1 (NUMBER OF THE TABLE)

Melting points and basic analysis (TABLE TITLE)

Compounds	Mp(°C)	Chemical formula	N (%)	
			Calculated	Resulted
3A	178	C ₂₉ H ₃₄ N ₂ O	6,57	3A
3B	264	C ₂₉ H ₃₃ N ₃ O ₃	8,92	3B
3C	232	C ₂₉ H ₃₂ N ₄ O ₅	10,85	3C
5A	185	C ₂₉ H ₃₄ N ₂ O	6,56	5A
5B	242	C ₂₉ H ₃₃ N ₃ O ₃	8,92	5B
5C	245	C ₂₉ H ₃₂ N ₄ O ₅	10,85	5C

Figures. Figures are to be placed centered, if they are big and complex enough. If not, they can be put on two columns or wrapped in the text, towards the exterior of the page (right for an even page and left for an uneven page). The legend is to be centered under the figure, in size 10.

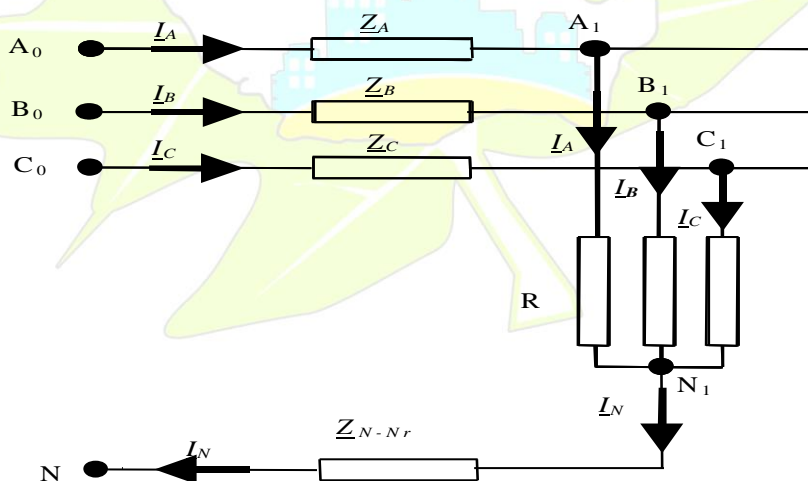


Fig. 1 - The legend is centered (size 10) (FIGURE)

N. Conclusions (Chapter)

The paper will end with a conclusion paragraph in which the results obtained by the author until present times will be mentioned, along with the possibilities of continuity and application of them in the article.

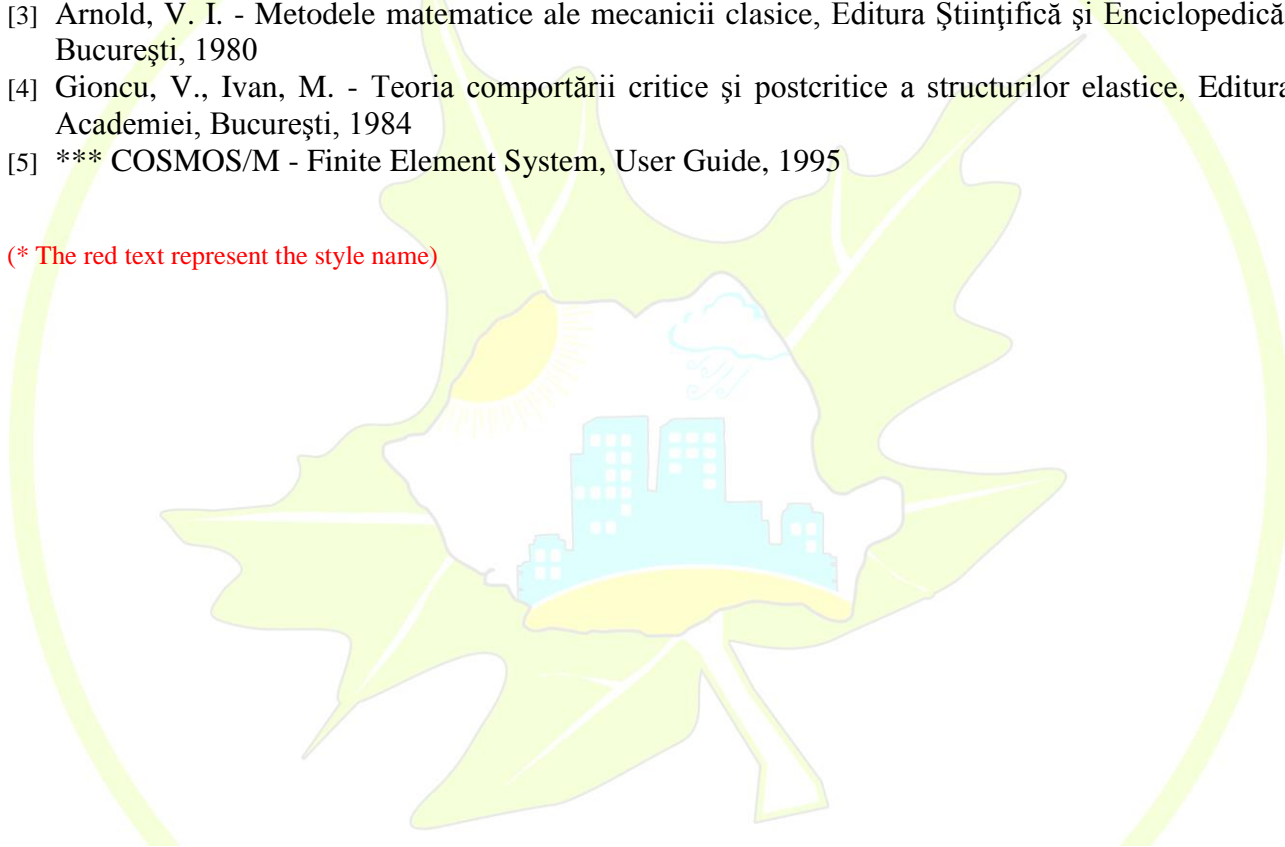
References (Chapter)

The references will be written in the order of the quotations that appear in the text and will also be numbered. The indications in the text will be made by square brackets, for example [1] or [1,3] or [1-3].

In the bibliography, there will be mentioned : the name of the author, the initials of the first name of the author (size 10), the editure, the place and year of apparition or the periodical in which it has appeared, the number (month), the volume, the year, the initial page and the last page of the article (size 10).

- [1] Soviany, C. - Embedding Data and Task Parallelism in Image Processing Applications, PhD Thesis, Technische Universiteit Delft, 2003 (Numbered)
- [2] Mauthe, A., Hutchison, D., Coulson, G., Namuye, S. - Multimedia Group Communications Towards New Services, in Distributed Systems Eng., Vol. 3, No. 3, Sept. 1996, pp. 197-210
- [3] Arnold, V. I. - Metodele matematice ale mecanicii clasice, Editura Științifică și Enciclopedică, București, 1980
- [4] Gioncu, V., Ivan, M. - Teoria comportării critice și postcritice a structurilor elastice, Editura Academiei, București, 1984
- [5] *** COSMOS/M - Finite Element System, User Guide, 1995

(* The red text represent the style name)



**THE TITLE: EXTENDED ABSTRACT PREPARATION FOR RCEPB-VII (1 OR 2 FULL PAGES)
(FONT ARIAL, SIZE 11, BOLD, CENTERED, 12 pt SPACE FROM ABOVE AND BELOW)**

Authors' names (Font Arial, Size 9)
Authors' affiliations
Authors' addresses
Authors' e-mails:

SUMMARY (FONT, ARIAL, SIZE 10, BOLD)

Font 8, italic, single-columned, centered without the first line indent, space from left and right – 5mm, space from below - 12 pt, the text should not be longer than 150 words.

Keywords: RCEPB, conference template, guideline.

This is a template for the author(s) to use for preparing their extended abstract(s) (**1 or 2 full pages**) for RCEPB-VIII.

All accepted extended abstracts will be stored on RCEPB-VIII DVD and will be published in the PROCEEDINGS of the RCEPB 2018 (ISBN **978-606-25-0166-2**). The RCEPB-X Proceedings will be produced directly from the electronic **PDF** files which you provide to us.

Accepted full articles will be published in BDI/ISI indexed publications.

Please prepare your abstract in WORD and PDF following the guidelines given below and submit via e-mail to **office@rcepb.ro** before **2nd of April 2018**. Make sure that your paper is **free** of technical, grammatical and typographical errors.

Each extended abstract, including figures and tables, is limited to 1 or 2 full pages and should be typed as a double-columned main text with 25 mm margins for all sides on standard A4 paper. The text must be justified with 5 mm first line indent for all paragraphs.

A short summary should state briefly the content, methods and results only. Define abbreviations and acronyms the first time they are used. Avoid footnotes at the bottom of the page within the frame.

The main text must be 10 points Arial.

Use **SI unit** only. Equations should be typed. In the text, equation should be referred to as Eq.(1). Align left each equation and allow **single spacing** above and below, as:

$$\theta = (T - T_a) / (T_i - T_a) \quad (1)$$

Briefly and descriptively title each table and caption each figure. Place table title above the table and figure caption below the figure. Each table and figure should be referred to in the text (e.g., Fig. 1, Table 1) and placed in the order referred to and as close as possible to the first

reference in the text. Allow **single spacing** between the table or figure and the adjacent text, and no space between the table title and table (or between figure caption and figure). Tables and figures should be numbered consecutively with single Arabic numerals.

Table 1. Experimental data

Product	<i>Cucumber</i>	<i>Apple</i>
Shape	Cylinder	Sphere
Fluid	Water	Air
Flow velocity (m/s)	0.05	6.6

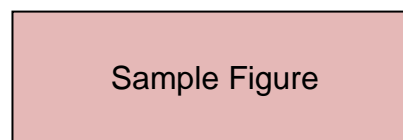


Fig.1. Sketch of the sample.

Do not reduce figures or tables to a size that is difficult to read.

References should be cited in the text by author and year (Moreau et al., 2015) and listed in alphabet order by the first author according to the format of journal, book, conference, web etc as shown later. The references must be written with 8 point Arial or Helvetica.

REFERENCES

- Abdu-Khader, M. M. and J. G. Speight, 2004, The concepts of energy, environment, and cost for process design. *International Journal of Green Energy* 1:137-151. (for Journal)
- Dahlquist E., E. Thorin, and J. Yan, 2006, Alternative Pathways to a Fossil-Fuel Free Energy System in the Mälardalen Region of Sweden, International Green Energy Conference II, June 25-29, 2006. Oshawa, Ontario, Canada. (for Conference)